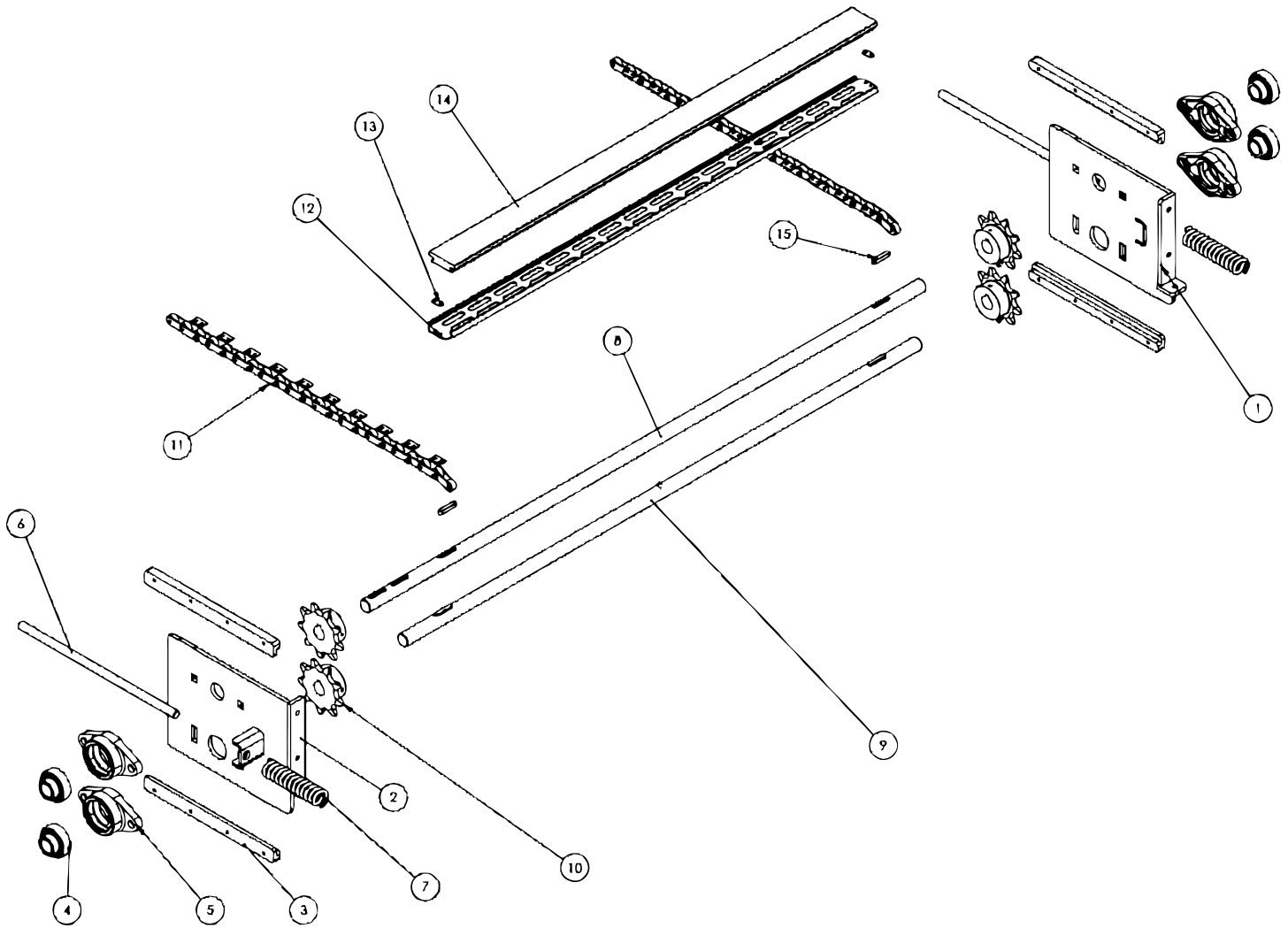


Parts Breakdown

Model PE-IT-0024-D-RL 47575

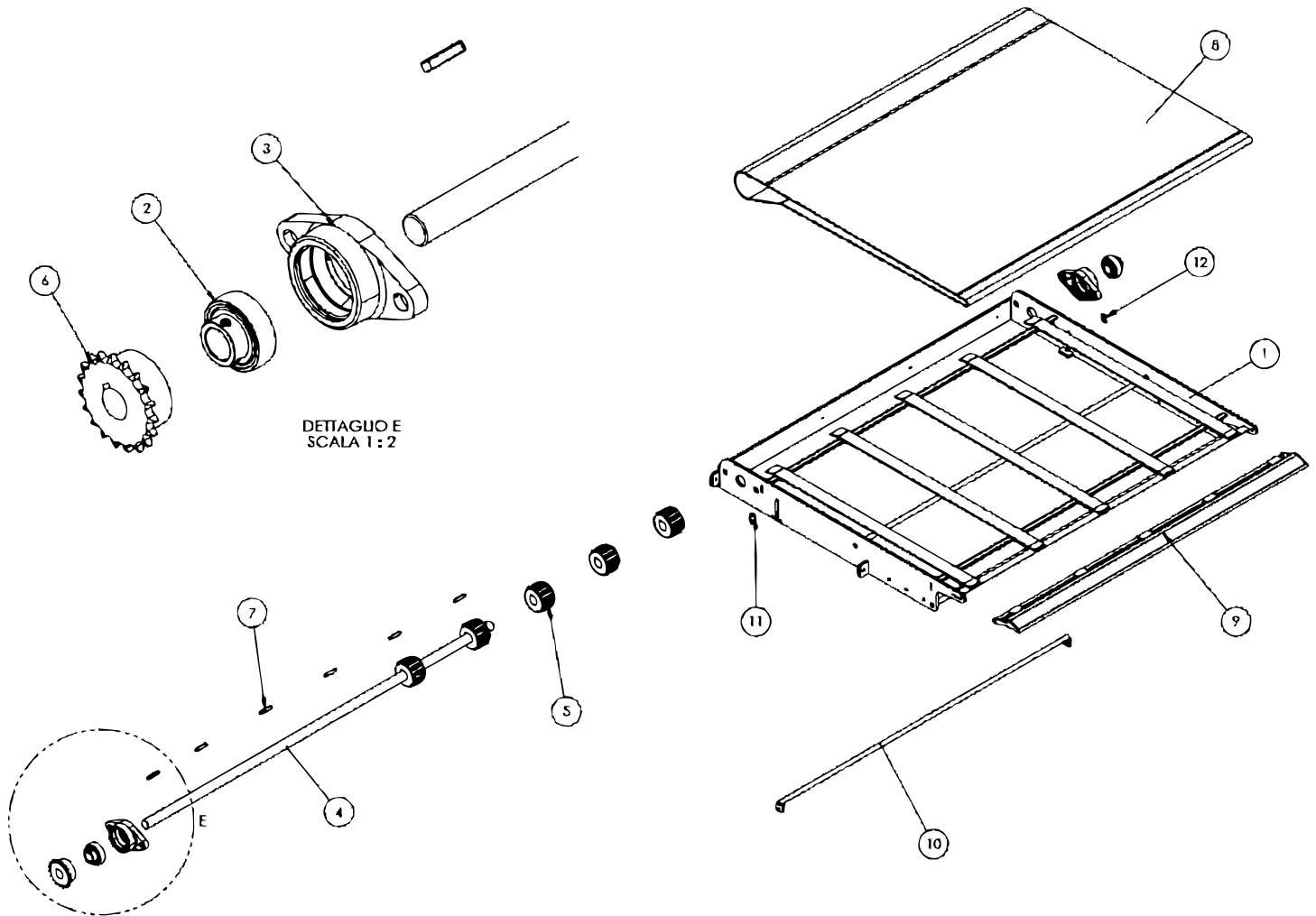
Conveyor



Parts Breakdown

Model PE-IT-0024-D-RL 47575

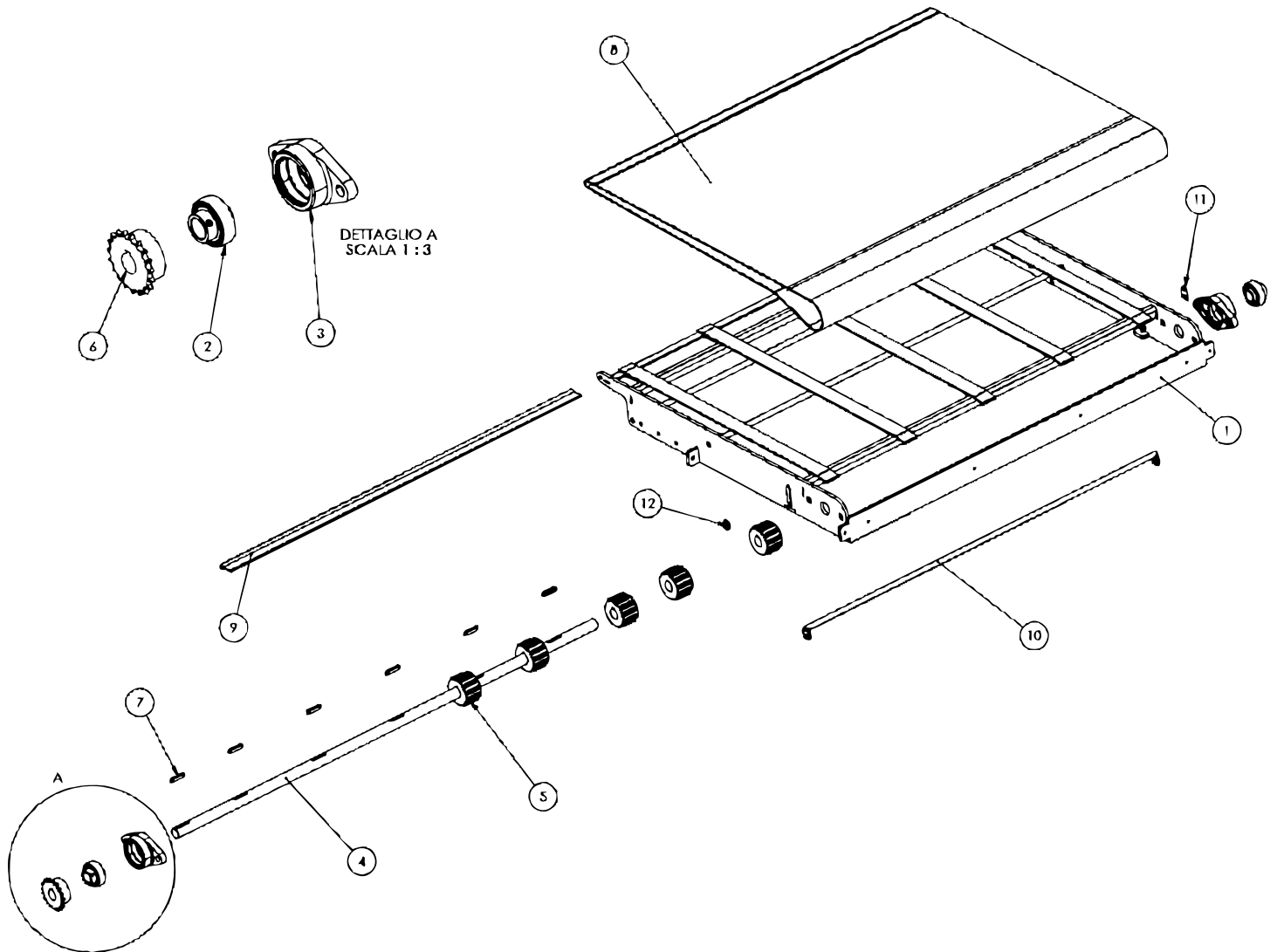
Entry Conveyor Belt



Parts Breakdown

Model PE-IT-0024-D-RL 47575

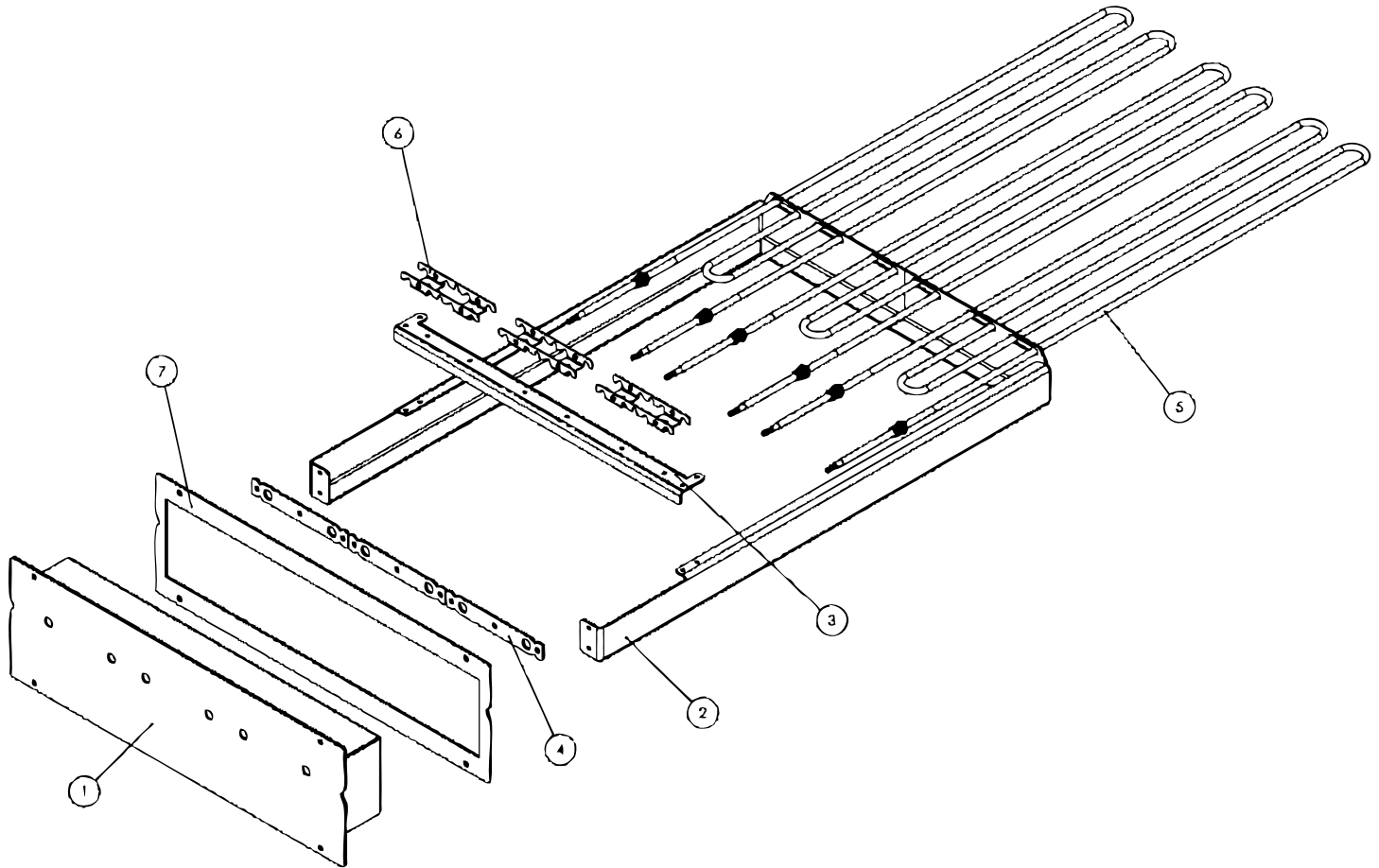
Exit Conveyor Belt



Parts Breakdown

Model PE-IT-0024-D-RL 47575

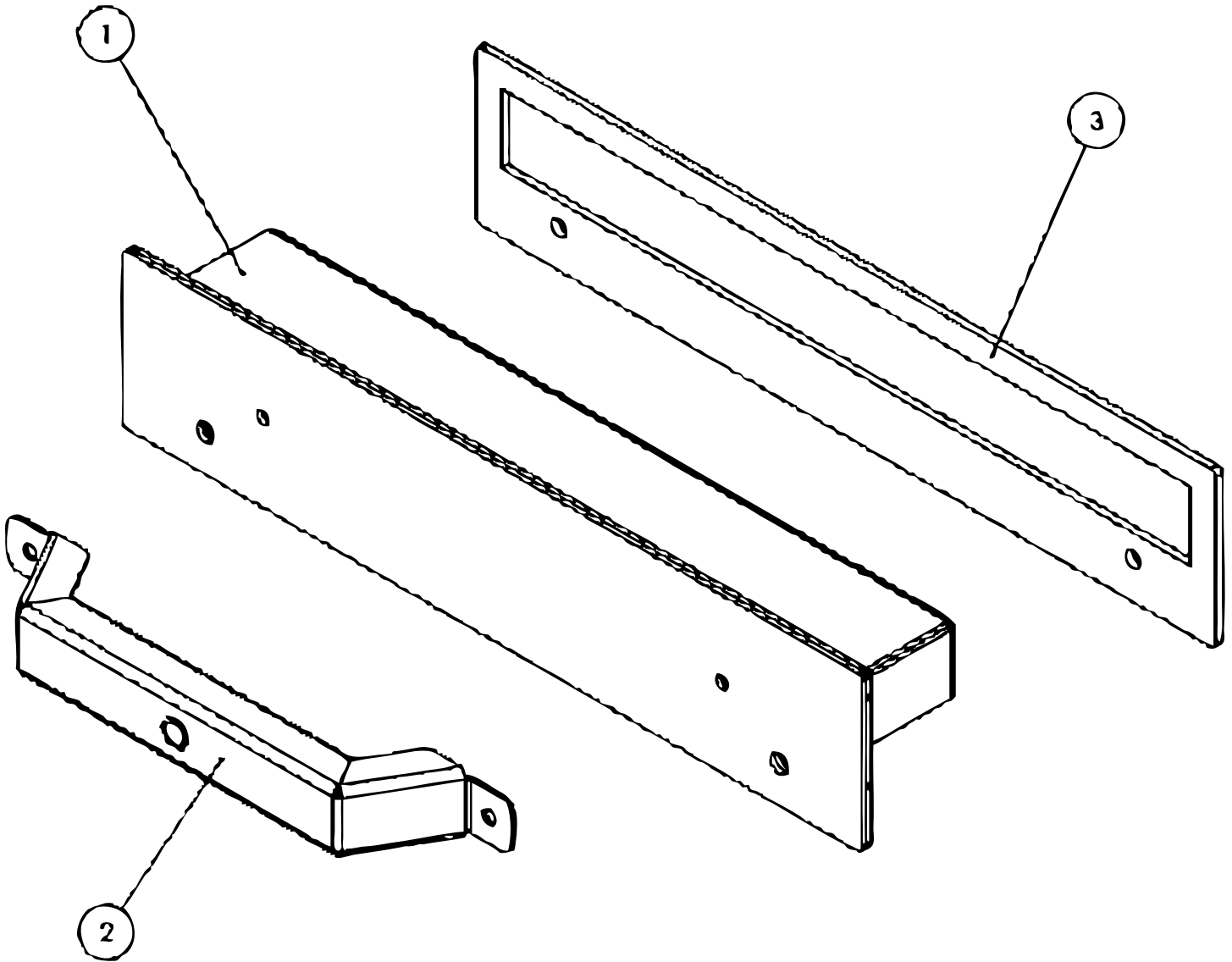
Electric Heating System



Parts Breakdown

Model PE-IT-0024-D-RL 47575

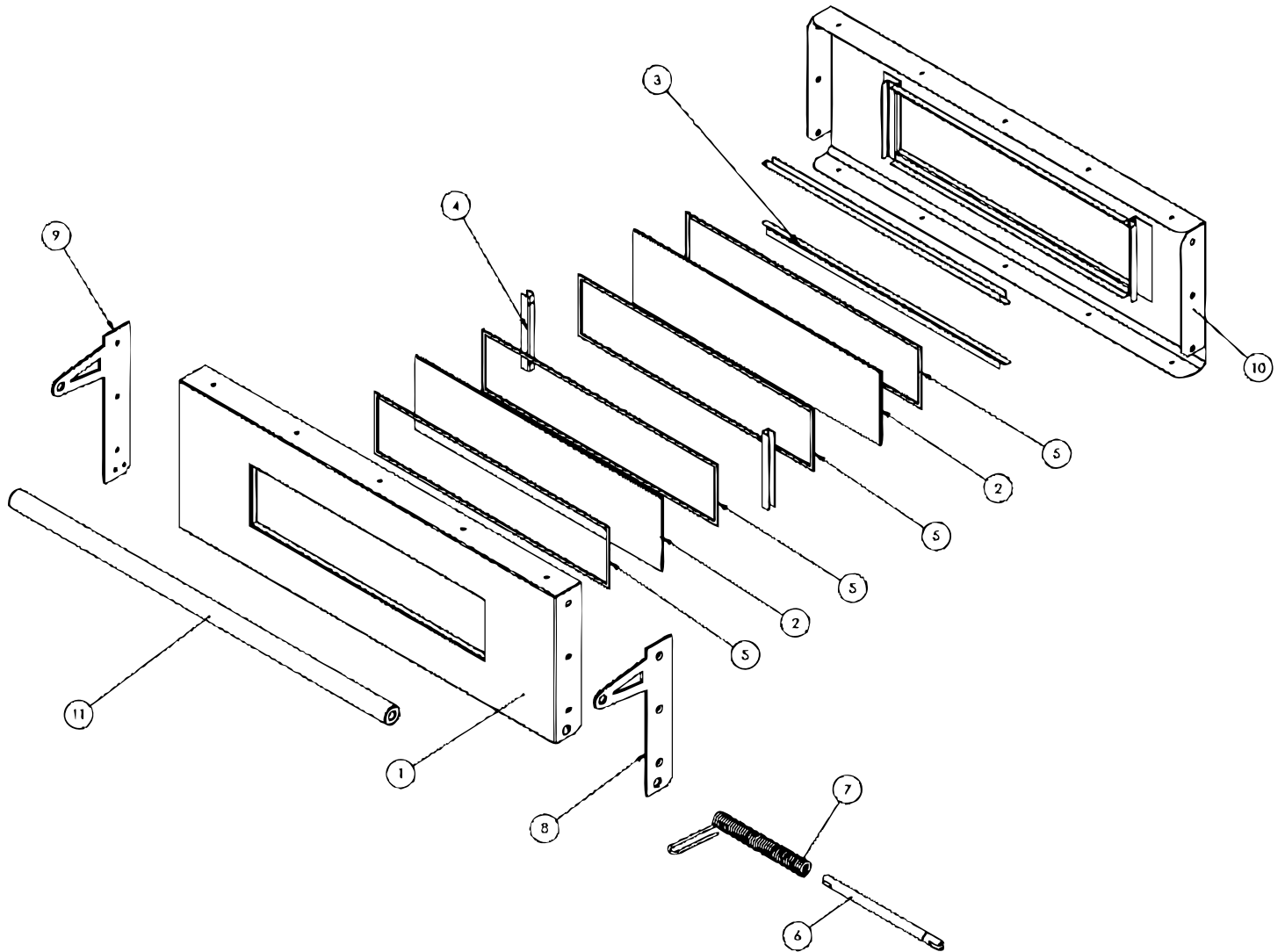
Filter



Parts Breakdown

Model PE-IT-0024-D-RL 47575

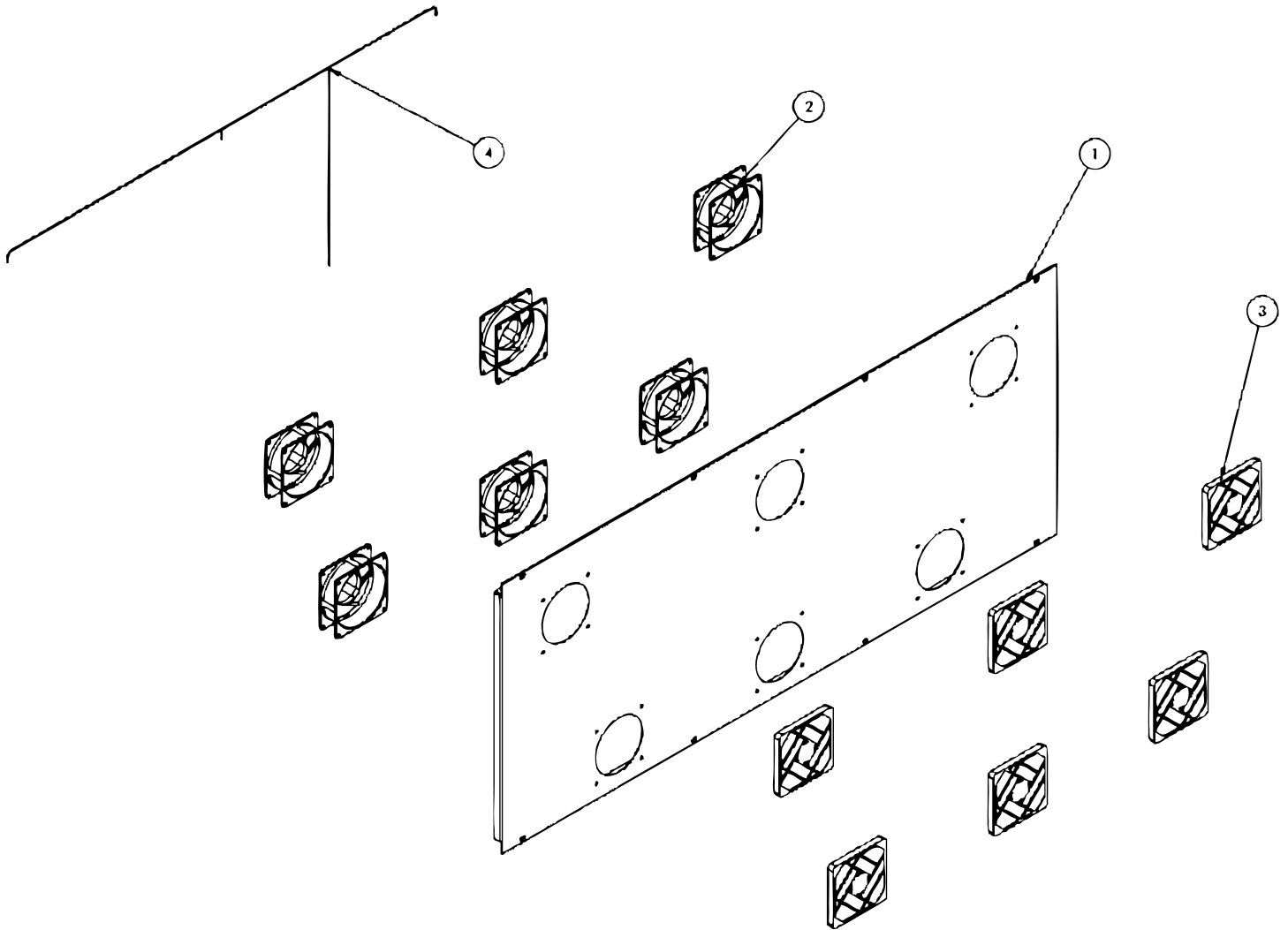
Door Assembly



Parts Breakdown

Model PE-IT-0024-D-RL 47575

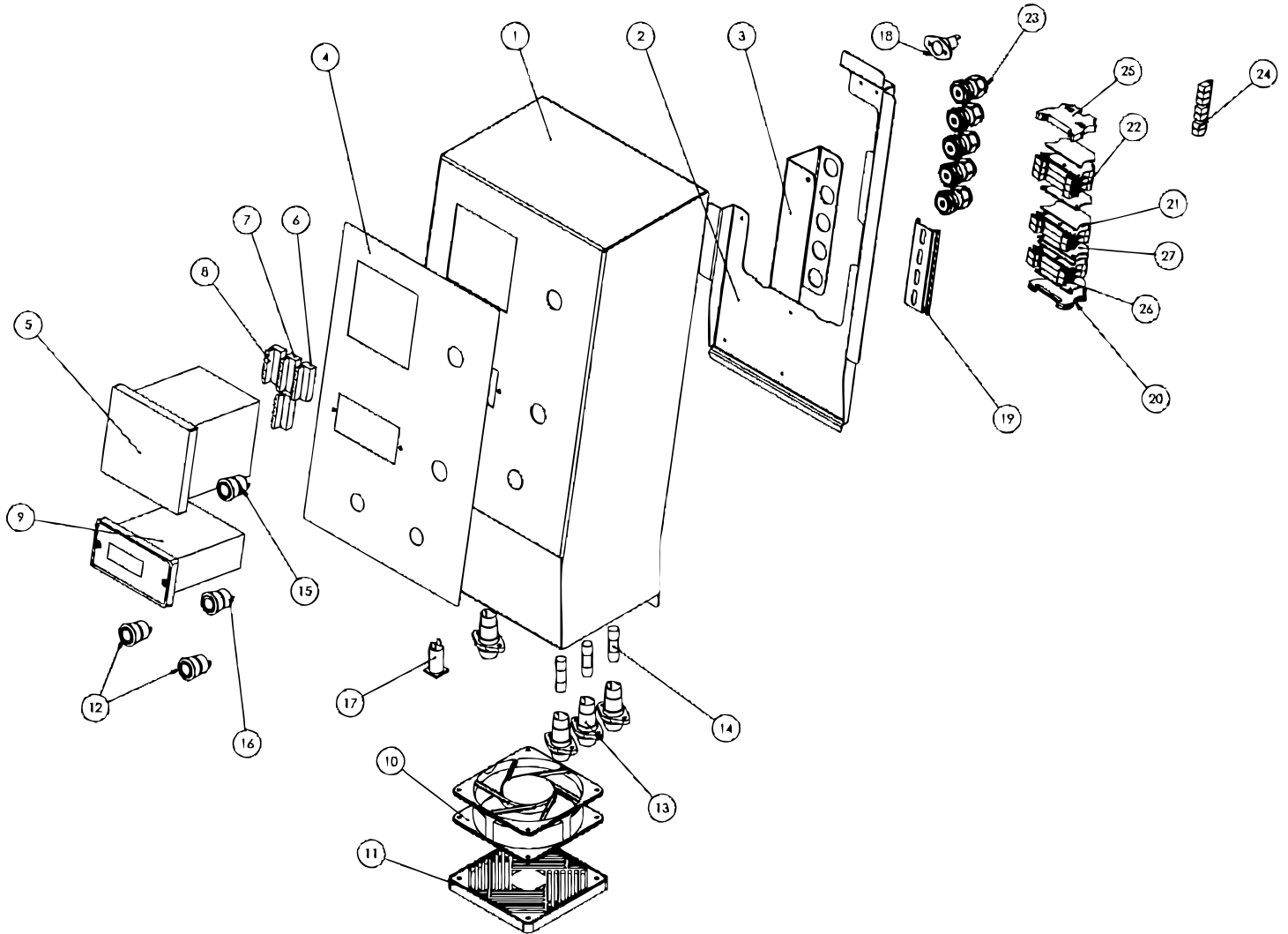
Back



Parts Breakdown

Model PE-IT-0024-D-RL 47575

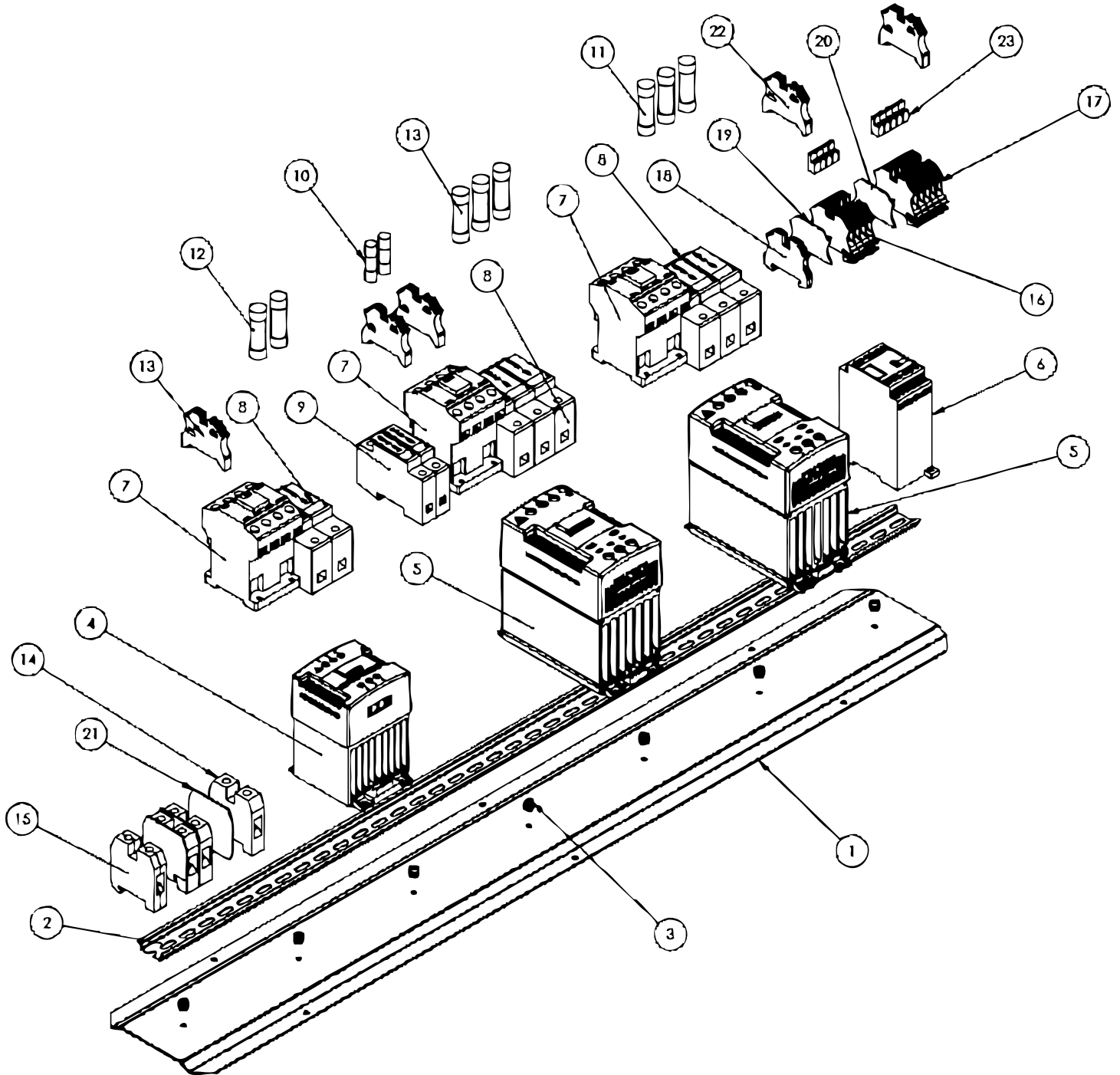
Control Panel



Parts Breakdown

Model PE-IT-0024-D-RL 47575

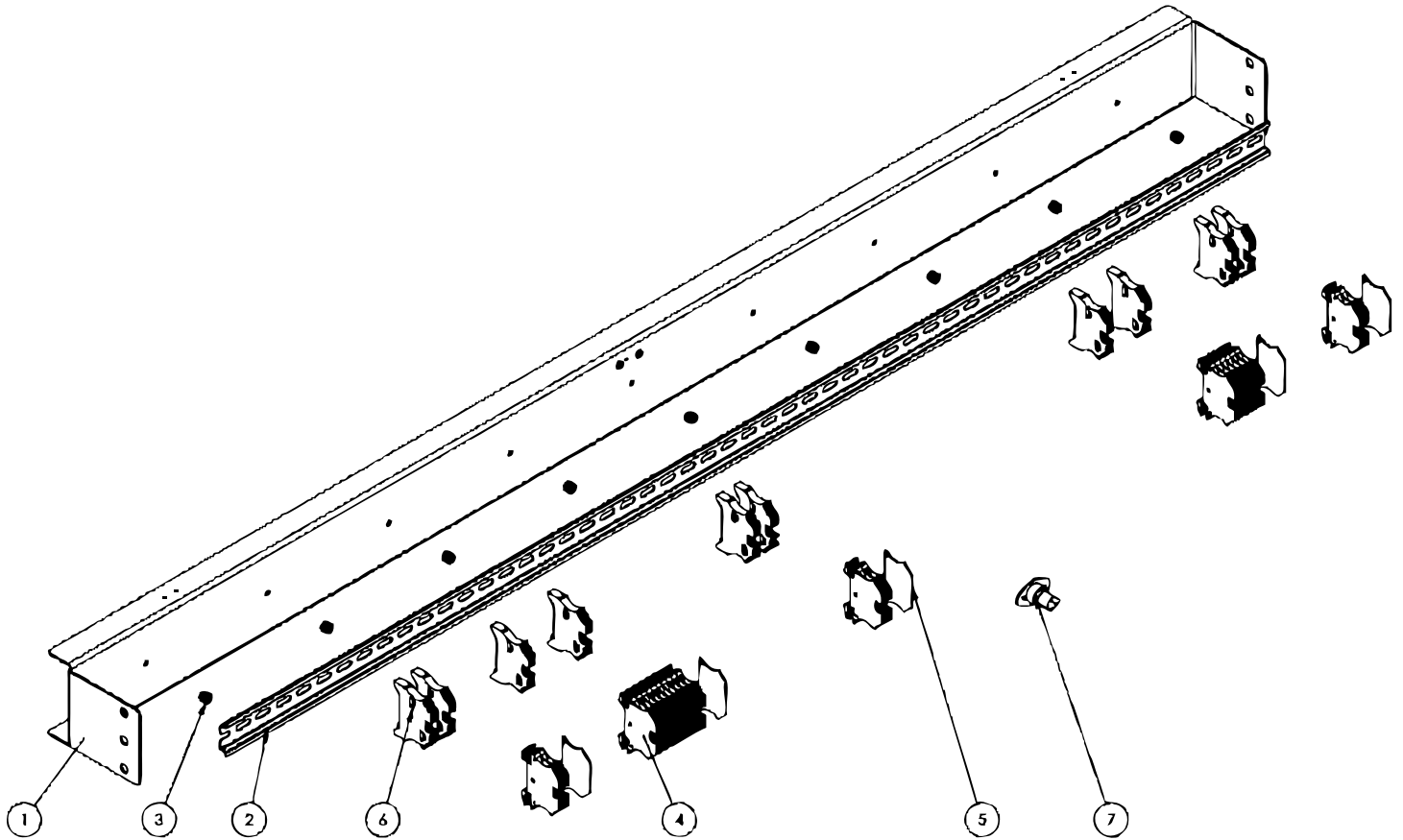
Lower Electrical Components



Parts Breakdown

Model PE-IT-0024-D-RL 47575

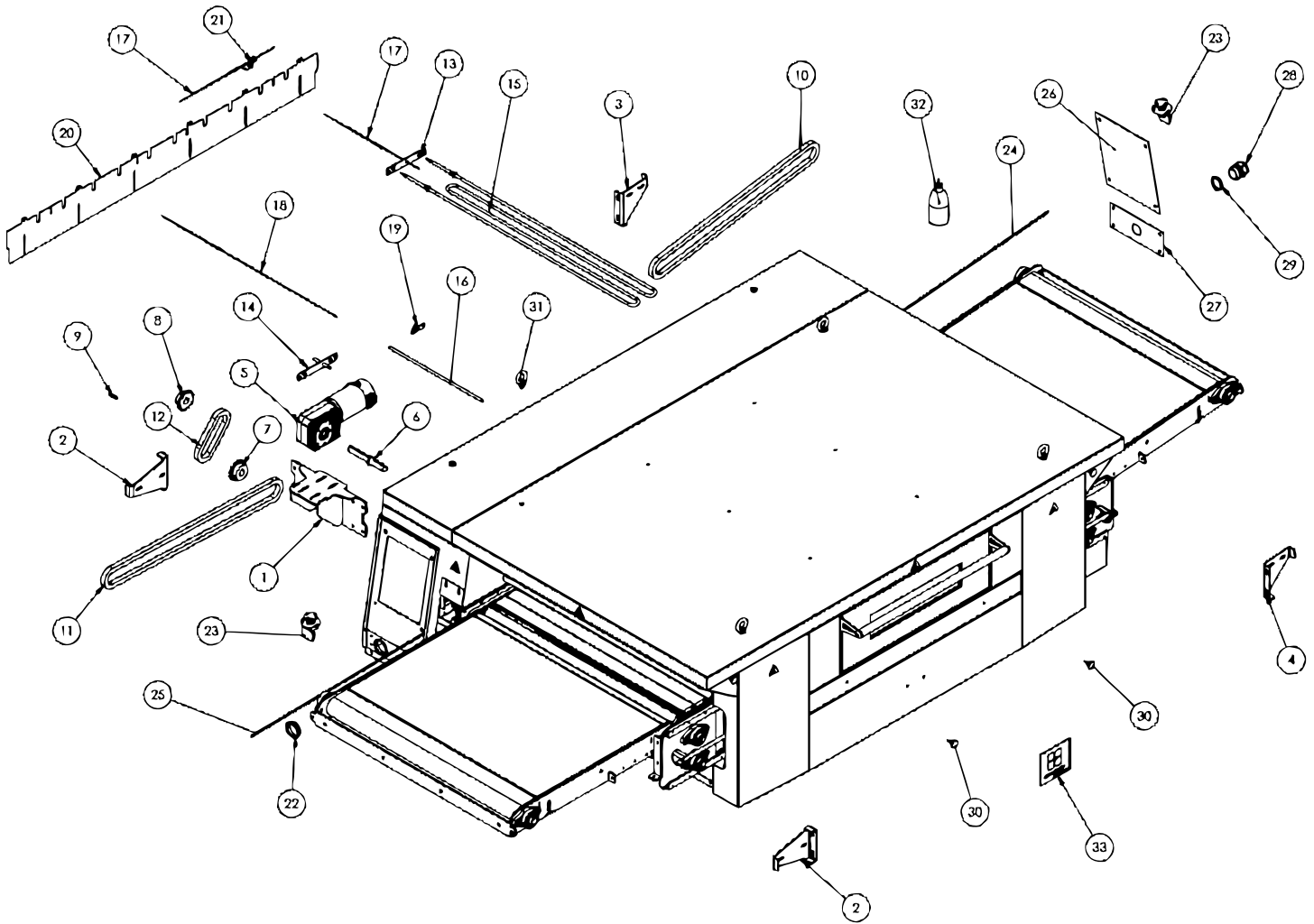
Upper Electrical Components



Parts Breakdown

Model PE-IT-0024-D-RL 47575

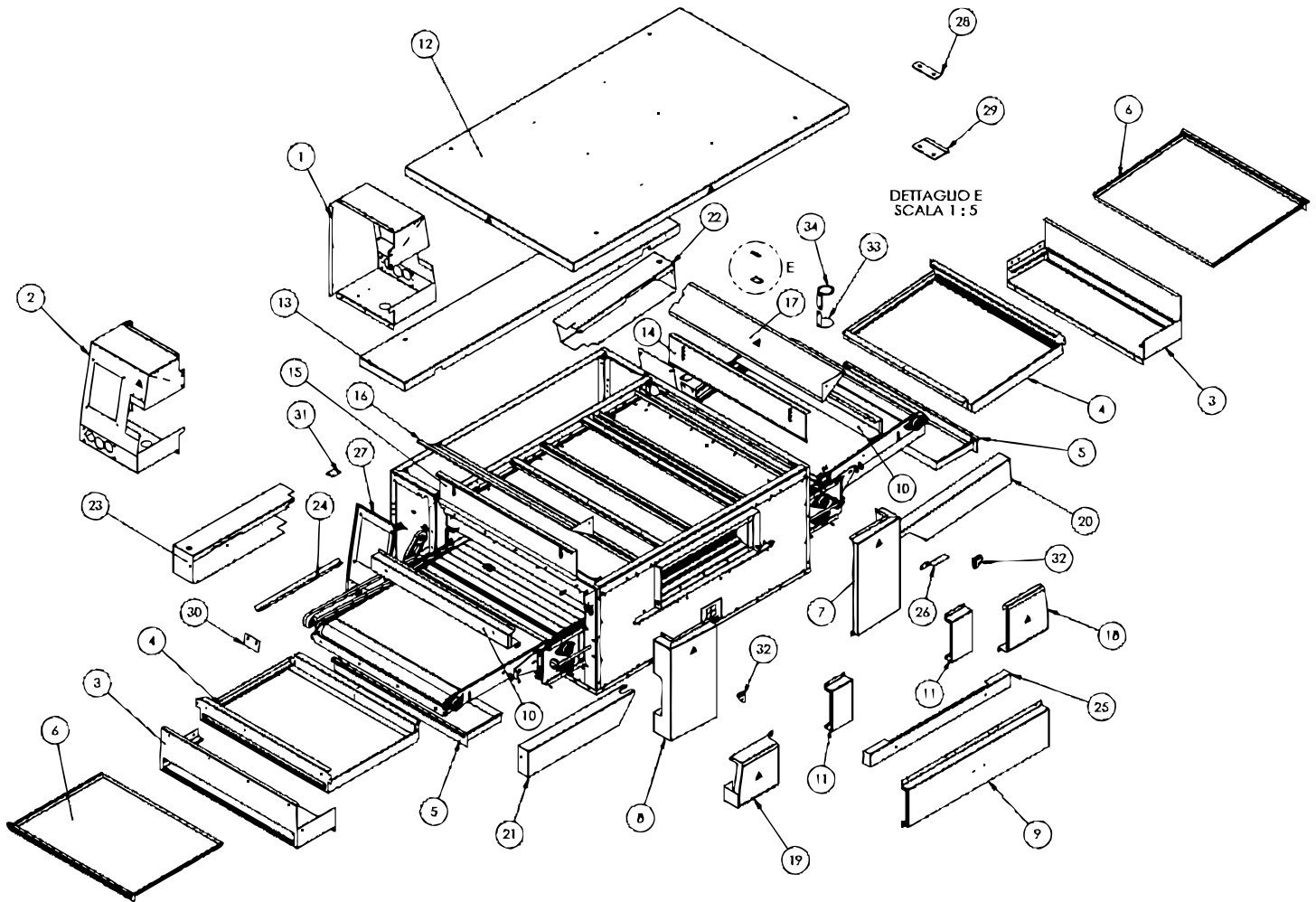
Components



Parts Breakdown

Model PE-IT-0024-D-RL 47575

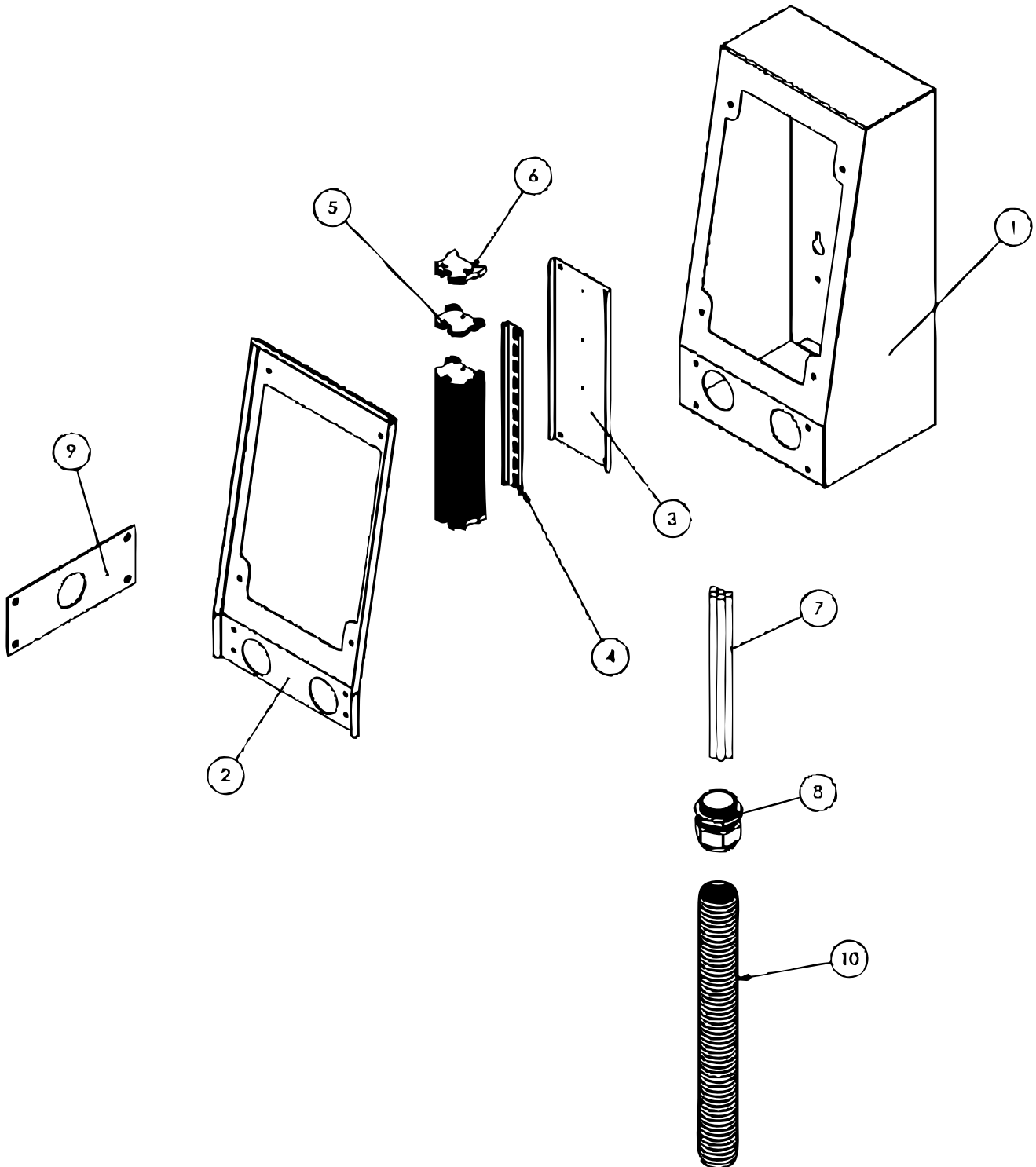
Panels



Parts Breakdown

Model PE-IT-0024-D-RL 47575

Remote Wall Panel



Parts Breakdown

Model PE-IT-0024-D-RL 47575

Conveyor

Item No.	Description	Position	Item No.	Description	Position	Item No.	Description	Position
AM741	Right Tensioner for 47575	1	AM746	M12 Threaded Rod for 47575	6	AM751	Open Chain 1" + Joint for 47575	11
AM742	Left Tensioner for 47575	2	AM747	Tension Spring for 47575	7	AM752	Stone Support for 47575	12
AM743	Conveyor Guide for 47575	3	AM748	Transmission Shaft for 47575	8	AM753	Rivets Thickness for 47575	13
AM744	Ball Bearing for 47575	4	AM749	Driving Transmission Shaft for 47575	9	AM754	Stone Table for 47575	14
AM745	Bearing Support for 47575	5	AM750	Chain Sprocket 1" for 47575	10	AC248	Key 6x6x30 for 47575	15

Entry Conveyor Belt

Item No.	Description	Position	Item No.	Description	Position	Item No.	Description	Position
AM755	Tape Frame for 47575	1	AM757	Belt Sprocket for 47575	5	AM760	Head Scroll for 47575	9
AM744	Ball Bearing for 47575	2	AM758	Chain Sprocket for 47575	6	AM761	Sliding Tension for 47575	10
AM745	Bearing Support for 47575	3	AC248	Key 6x6x30 for 47575	7	AM762	Anti-Vibration Plate for 47575	11
AM756	Driving Transmission Shaft for 47575	4	AM759	Conveyor Belt for 47575	8	AM763	Anti-Vibration Bracket for 47575	12

Exit Conveyor Belt

Item No.	Description	Position	Item No.	Description	Position	Item No.	Description	Position
AM755	Tape Frame for 47575	1	AM757	Belt Sprocket for 47575	5	AM764	Head Scroll for 47575	9
AM744	Ball Bearing for 47575	2	AM758	Chain Sprocket for 47575	6	AM761	Sliding Tension for 47575	10
AM745	Bearing Support for 47575	3	AC248	Key 6x6x30 for 47575	7	AM762	Anti-Vibration Plate for 47575	11
AM756	Driving Transmission Shaft for 47575	4	AM759	Conveyor Belt for 47575	8	AM763	Anti-Vibration Bracket for 47575	12

Electric Heating System

Item No.	Description	Position	Item No.	Description	Position	Item No.	Description	Position
AM765	Drawer Assembly for 47575	1	AM768	Resistance Fixing Plate for 47575	4	AM771	Drawer Seal for 47575	7
AM766	Tray Outline Assembly for 47575	2	AM769	Drawer Resistance for 47575	5			
AM767	Lower Crossbeam Profile for 47575	3	AM770	Upper Crossbeam Profile for 47575	6			

Parts Breakdown

Model PE-IT-0024-D-RL 47575

Filter

Item No.	Description	Position	Item No.	Description	Position	Item No.	Description	Position
AM772	Filter Drawer Assembly for 47575	1	AM773	Filter Drawer Handle for 47575	2	AM774	Filter Drawer Gasket for 47575	3

Door Assembly

Item No.	Description	Position	Item No.	Description	Position	Item No.	Description	Position
AM775	Door Welded Assembly for 47575	1	74801	Tape in White Glass Fibre with Adhesive 6x2mm for 47575	5	AM779	Left Door Plate for 47575	9
41771	Glass Door for 47575	2	AL769	Pin for Spring for 47575	6	AM780	Welded Assembly Inside Door for 47575	10
AM776	Horizontal Spacer for 47575	3	43659	Door Spring for 47575	7	AM781	Handle Assembly for 47575	11
AM777	Vertical Spacer for 47575	4	AM778	Right Door Plate for 47575	8			

Back

Item No.	Description	Position	Item No.	Description	Position
AM782	Compartment Back Panel for 47575	1	AL758	Protection Fan for 47575	3
AH487	Fan 230V 50/60Hz 120x120 for 47575	2	AM783	Fan Wiring for 47575	4

Control Panel

Item No.	Description	Position	Item No.	Description	Position	Item No.	Description	Position
AM784	Control Panel for 47575	1	AH487	Fan 230V 50/60Hz 120x120 for 47575	10	AM800	Drilled Omega Bar for 47575	19
AM785	Dashboard Support for 47575	2	AL758	Protection Fan for 47575	11	AM801	Clamp M10/10 10mmQ Yellow/Green for 47575	20
AM786	Cable Support for 47575	3	AM793	Gas Reset Button for 47575	12	AM802	Clamp M10/10 10mmQ Blue for 47575	21
AM787	Stickers for 47575	4	AM794	Fuse Holder 10x38 for 47575	13	AM803	Clamp M10/10 10mmQ Brown for 47575	22
AM788	Watlow F4T Display for 47575	5	AM795	Fuse 9A 10x38 for 47575	14	AM804	Cable Gland PG 13.5 for 47575	23
AM789	Temperature Module for 47575	6	AM796	Green Luminous Switch for 47575	15	AM805	WQV 10/10 Jumper for 47575	24
AM790	4 Input Module for 47575	7	AM797	Blue Light Switch for 47575	16	AM806	Beige Clamp Locking Terminal for 47575	25
AM791	3 Output Module for 47575	8	AM798	Motor Thermal Protector for 47575	17	AM807	Gray Cover for Clamps 2.5-10mmQ for 47575	26
AM792	Motor Control for 47575	9	AM799	Contact Thermostat for 47575	18	AM808	Blue Cover for Clamps 2.5-10mmQ for 47575	27

Parts Breakdown

Model PE-IT-0024-D-RL 47575

Lower Electrical Components

Item No.	Description	Position	Item No.	Description	Position	Item No.	Description	Position
AM809	Electrical System Base Support for 47575	1	AM816	E91/32 Fuse Holder for 10x38 Fuses for 47575	9	AM803	Clamp M10/10 10mmQ Brown for 47575	17
AM810	Drilled Omega Bar for 47575	2	AM795	Fuse 9A 10x38 for 47575	10	AM801	Clamp M10/10 10mmQ Yellow/Green for 47575	18
AM811	Stainless Steel Rivet 4.8x8 for 47575	3	AM817	Fuse 14x51 32A for 47575	11	AM808	Blue Cover for Clamps 2.5-10mmQ for 47575	19
AM812	Din-A-Mite B Solid State Relays for 47575	4	AM818	Fuse 14x51 40A for 47575	12	AM807	Gray Cover for Clamps 2.5-10mmQ for 47575	20
AM813	Din-A-Mite C Solid State Relays for 47575	5	AM819	Fuse 14x51 50A for 47575	13	AM822	Gray Cover for Clamps 35mmQ for 47575	21
AM814	Safety Relay for 47575	6	AM820	Clamp 35mmQ Gray for 47575	14	AM806	Beige Clamp Locking Terminal for 47575	22
AH482	Contact 4P NO 60A AC1 for 47575	7	AM821	Clamp 35mmQ Yellow/Green for 47575	15	AM805	WQV 10/10 Jumper for 47575	23
AM815	E91/50 Fuse Holder for 14x51 Fuses for 47575	8	AM802	Clamp M10/10 10mmQ Blue for 47575	16			

Upper Electrical Components

Item No.	Description	Position	Item No.	Description	Position	Item No.	Description	Position
AM823	Electrical System Base Support for 47575	1	AM819	Fuse 14x51 50A for 47575	4	AM799	Contact Thermostat for 47575	7
AM810	Drilled Omega Bar for 47575	2	AM808	Blue Cover for Clamps 2.5-10mmQ for 47575	5			
AM811	Stainless Steel Rivet 4.8x8 for 47575	3	AM806	Beige Clamp Locking Terminal for 47575	6			

Components

Item No.	Description	Position	Item No.	Description	Position	Item No.	Description	Position
AM824	Motor Support for 47575	1	AM834	Open Chain 1/2 + Joint for 47575	12	AM845	Emergency Button for 47575	23
AM825	Outlet Fixing Bracket for 47575	2	AM835	Resistance Fixing Plate for 47575	13	AM846	Right Emergency Wiring for 47575	24
AM826	Right Input Fixing Bracket for 47575	3	AM836	Probe Support Assembly for 47575	14	AM847	Left Emergency Wiring for 47575	25
AM827	Left Entry Fixing Bracket for 47575	4	AM837	Resistance 2500W for 47575	15	AM848	Dashboard Cap for 47575	26
AM828	Gear Motor for 47575	5	AM838	Probe Protection Tube for 47575	16	AM849	Electrical Connections Support for 47575	27
AM829	Transmission Shaft for 47575	6	AM839	Thermocouple K D4x150 for 47575	17	AM850	Cable Gland PG29 Gray for 47575	28
AM830	Chain Sprocket 3/8" for 47575	7	AM840	Thermocouple K D5x500 for 47575	18	AM851	Lock Nut PG29 Gray for 47575	29
AM831	Chain Sprocket 1/2" for 47575	8	AM841	Probe Support Assembly for 47575	19	AH466	Knob DIN 464-M6x16 for 47575	30
AC248	Key 6x6x30 for 47575	9	AM842	Resistance Protection for 47575	20	AM852	Male Eyebolts M10 ZN for 47575	31
AM832	Open Chain 3/8 Entry + Joint for 47575	10	AM843	Compartment Probe Support for 47575	21	AM853	250ML Dispenser with Chain Oil for 47575	32
AM833	Open Chain 3/8 Output + Joint for 47575	11	AM844	Cable Gland for 47575	22	AM854	Black Metallic Label for 47575	33

Parts Breakdown

Model PE-IT-0024-D-RL 47575

Panels

Item No.	Description	Position	Item No.	Description	Position	Item No.	Description	Position
AM855	Right Cover Panel Assembly for 47575	1	AM867	Compartment Upper Lining Panel for 47575	13	AM879	Dragon 32 Filter Drawer Cover Profile for 47575	25
AM856	Left Cover Panel Assembly for 47575	2	AM868	Right Damper Profile for 47575	14	AM880	Right/Left Input Belt Closure Profile for 47575	26
AM857	Conveyor Bottom Cover Assembly for 47575	3	AM869	Left Damper Profile for 47575	15	AM881	Dragon Control Panel Support for 47575	27
AM858	Tape Bottom Cover Assembly for 47575	4	AM870	Right Cap Profile for 47575	16	AM882	Dragon Cap Spacer Plate for 47575	28
AM859	Conveyor Drawer Assembly for 47575	5	AM871	Left Cap Profile for 47575	17	AM883	Dragon Cap Locking Plate for 47575	29
AM860	Tape Case Assembly for 47575	6	AM872	Front Conveyor Cover Panel for 47575	18	AM884	Compensation Plate External Panel for 47575	30
AM861	Right Front Trim Panel for 47575	7	AM873	Front Conveyor Cover Panel for 47575	19	AM885	Compensation Plate External Panel for 47575	31
AM862	Left Front Trim Panel for 47575	8	AM874	Front Belt Protection Panel for 47575	20	AM886	Cap Fixing Bracket for 47575	32
AM863	Central Front Trim Panel for 47575	9	AM875	Front Output Belt Protection Panel for 47575	21	AM887	Lower Oil Support for 47575	33
AM864	Side Upper Trim Panel for 47575	10	AM876	Rear Entry Tape Protection Panel for 47575	22	AM888	Top Oil Support for 47575	34
AM865	Central Upper Lining Panel for 47575	11	AM877	Rear Output Tape Protection Panel for 47575	23			
AM866	Top Lining Panel for 47575	12	AM878	Emergency Cable Passage Profile for 47575	24			

Remote Wall Panel

Item No.	Description	Position	Item No.	Description	Position	Item No.	Description	Position
AM889	Remote Control Panel Support for 47575	1	AM819	Fuse 14x51 50A for 47575	5	AM895	Sheath Fitting Plate Wall Panel Kit for 47575	9
AM890	Remote Dashboard Support for 47575	2	AM806	Beige Clamp Locking Terminal for 47575	6	AM896	Spiral Sheath D40 Flexible Self-Extinguishing for 47575	10
AM891	Remote Terminal Support for 47575	3	AM893	Wall Panel Wiring Kit for 47575	7			
AM892	Omega Bar Drilled 250mm for 47575	4	AM894	Spiral Sleeve Fitting Gas Gray RAL 7035 for 47575	8			